

Truck Mounted Concrete Pump

S 43



SCHWING S 43 - India's largest boom on a 4 axle truck

Schwing Stetter redefines standards in the 40 m class with its S43SX truck-mounted concrete pump. Schwing RZ boom design combines the "Roll and Fold" boom with a Z-fold boom at the tip to offer 270 degree flexibility at the last boom section. The boom folding system also enables concreting work right up to the vehicle bumper. With an overall length of less than 12 m on a standard chassis this compact boom package does not extend beyond the machines outlet.

With the 270-degree Z-fold section at the tip of the boom, operators have a myriad of options for placement while shooting concrete up to 42.3 meters vertically, and 38.1 meters horizontally. The S 43 SX has an unfolding height of 8.7 meters for those low overhead situations and a slewing range of 740 degrees to suit many job site requirements. Its pipeline is a full DN-125 mm diameter. The S43 SX front outriggers extend along an arc, do not have to be swivelled or telescoped and can fit into even the smallest gaps at the construction site thanks to their low height that saves space and time. S43 SX outriggers are designed to be compact, with a fast set-up time. It requires an 8.3m outrigger spread (the spread is the same, front and rear) for maximum stability.



The standard Schwing Remote Control features twin joysticks for proportional boom control and pin-point accuracy. In addition, Schwing's Vector control is the only system providing two-way communication between the pump and the operator.

The "Generation 3" concrete pump is a low-maintenance, 164 m³/hr unit that provides long, slow-stroking action. The all-hydraulic design utilises Schwing Big Rock Valve, promoting maximum filling efficiency of the material cylinders even with harsh mixes.

An open circuit design provides continuous hydraulic oil flow for fuel efficiency, filtration and cooling. The S 43 SX can do infrastructure work, light commercial projects and bridges. In conjunction with the DN-125 pipeline, contractors can perform high-volume pours or provide a slow delivery with infinite volume control. A 600 liters water tank on the unit helps with clean-up at the yard or on the job site. Consistently lightweight design makes this machine a universal and flexible long-boom pump - both for medium-sized operations in downtown urban areas and on large construction sites.

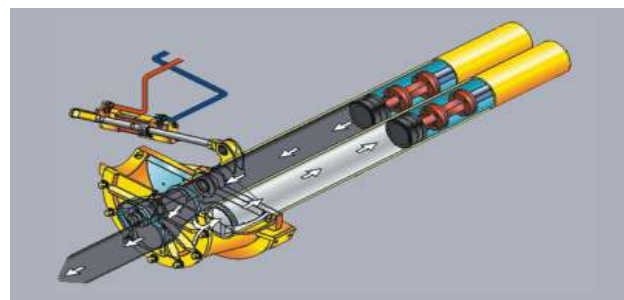
S 43 - Special Features



The available space in the main frame allows easy accessibility to the hydraulic components and hoses and reduces weight.

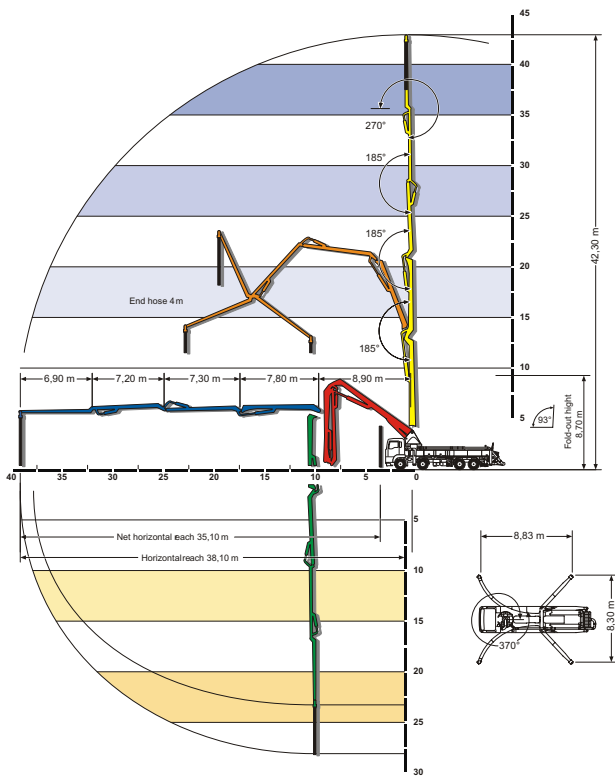


The radio remote control with its intuitive keys and warning systems helps operators to quickly learn to operate the pump.



The rock valve combines with the open hydraulic circuit reduces operating costs while enabling concrete pumping of higher pressures.

The repeated filtering and cooling due to the open hydraulic circuit reduces heat generation and component wear saving money in the long run.

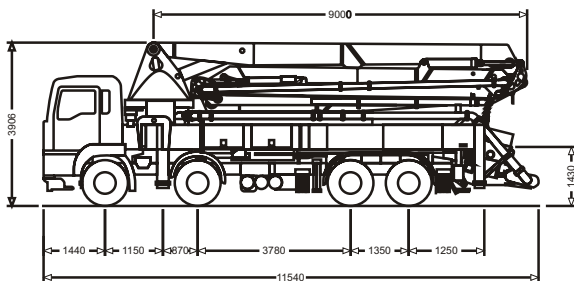


Only the SX outriggers allow enough room to install a long stroke pump kit. That means less change overs and less wear for better economy.



The operator can check all operating pressures with one glance. Compressor, water system, and maintenance switch for the piston change mode are within easy reach.

The S 43 has a slewing range of 370° to both sides. The combined RZ folding 5 section boom has a large horizontal and vertical reach for effective placement of concrete.



S 43 - Technical Data

Pump battery		P 2023
Max. theor. output	m ³ /h	138
Max. number of strokes	min.	27
Max. concrete pressure	bar	85
* Optional P2525 and P2025 are available		
Placing boom		43 RZ
Delivery line diameter		DN 125
Length of end hose	m	4,0
Vertical reach	m	42,3
Horizontal reach	m	38,1
Number of articulations		5
Height of articulations	m	4,16 / 13,05 / 20,80 / 28,11
Slewing range		2 x 370°
Outrigger load, front	kN	240
Outrigger load, rear	kN	230

SCHWING - STETTER

ALWAYS CLOSE TO THE CUSTOMER.



SCHWING STETTER (INDIA) PVT LTD

An ISO 9001 : 2008 Company

CORPORATE OFFICE : F 71 - 72, SIPCOT Industrial Park, Irungattukottai, Sriperumpudur Taluk, Kancheepuram District, Tamil Nadu - 602105.
Tel : 044 2715 6780 / 781, 47108100
Fax : 044 2715 6539 Email : schwing@vsnl.com

Mumbai : 620/621, Nirmal Lifestyle Corporate Centre, 6th floor, LBS Marg, Mulund(West), Mumbai 400080.
Tel : 022 25624863 / 64, 30718300
Fax : 022 25624865 / 66
E-Mail : mumbai@schwingstetterindia.com

New Delhi : 9, Okhla Industrial Estate, Phase III, New Delhi - 110 020.
Tel : 011 30928500 Fax : 011 30928530
E-Mail : newdelhi@schwingstetterindia.com

Kolkata : Y6, Block EP, Sector V, Electronics Complex, Salt Lake City, Kolkata-700091.
Tel : 033 3322 3300 / 3355 5588 Fax : 033 23594326
E-Mail : kolkata@schwingstetterindia.com

Hyderabad : Door No-8-2-268/1/C Plot No.2, Road No-3, Aurora Colony, Banjara Hills, Hyderabad-500034.
Tel : 040-33555588 / 30948601 Fax: 040 23731770
E-Mail : hyderabad@schwingstetterindia.com

Jamshedpur : No.17, Purulia High Way, Near Chepa Pul, Azad Nagar Mango, Jamshedpur-832 110
Tel : 0657-236 0003

Bangalore : No 138-B, "UDAYAGIRI COMPLEX", 3rd Phase, KIADB Industrial area, Peenya, Bangalore 560058.
Tel : 080 3355 5588 Fax : 080 3011 4301
E-Mail : bangalore@schwingstetterindia.com

Chandigarh : SCO 165 , SECTOR 38 C&D, Chandigarh (Union Territory) - 160 036.
Tel : 0172-3957500 / 3957505 Fax : 0172-3957501
E-Mail : chandigarh@schwingstetterindia.com

Vizag : Plot No.54, IDA - Block 'D', Expansion, Auto nagar, Vissakhapatnam - 530 012
Tel : 0891 6461783 Fax: 0891 2706063

Ahmedabad : 103, Shivalik Arcade, 100 Ft.T.P Anand Nagar Satellite Road, Satellite, Ahmedabad 380 051.
Tel : 079- 3355 5588 Fax : 079-4006 4084
E-Mail : ahmedabad@schwingstetterindia.com

Cochin : No.34 / 1404 B, Arakkakadavu Road, Anchumana, Edappally - PO. Kochin - 682 024
Tel : 0484 - 4055544 Fax : 0484 - 4055984
E-Mail : cochin@schwingstetterindia.com

Raipur : NH-6, Opposite Vardhaman Motor, Kumahari, Dist - Durg, Chhattisgarh - 490042.
Tel : 07821 247066
E-Mail : sunil.kumar@schwingstetterindia.com

Pune : Arihant Court, Shop No. 1,2 & 3, 481, Rasta Peth, Mudliar Road, Pune 411 011.
Tel : 020-33555588 Fax : 020-30531517, 30531511
E-Mail : pune@schwingstetterindia.com

Coimbatore : 88-C, Nehru nagar (W), Kalapatti main road, Civil aerodrome PO, Coimbatore - 641014. Tel : 0422 4392227
E-Mail : coimbatore@schwingstetterindia.com

Bhubaneswar : Plot No:182, Naharkanta, Rudrapur, Beside Puri Main Canal, NH5, Bhubaneswar - 752101.
Odisha. Tel : 0674 2463999

Patna : C/o, Mrs. Hemanti Devi, East Pahari, NH-31, Near Zero Mile, Patna - 800007.
Tel : 0612-3057725 Fax : 0612-3057728
E-Mail : cochin@schwingstetterindia.com

Surat : C-19 & D-19 Green Park, Light Industrial Estate, Opp. Madhav Park, Udhna Navsari Road, Unn - Surat -395023. Tel : 0261 2750033
Fax: 020-30531517, 30531511
E-Mail : ahmedabad@schwingstetterindia.com

Mangalore : Door No.4/24/9, Off Survey No.165/1A, "Shreya Towers" Surathkal, Mangalore- 575 014
Tel : 0824 - 3200381 Fax: 0824 - 2478381

Guwahati : House No. 161, Jaya Nagar, Six Miles, Khanapara, Guwahati 781 022.
Tel: 0361 2234738 / 9957566738